

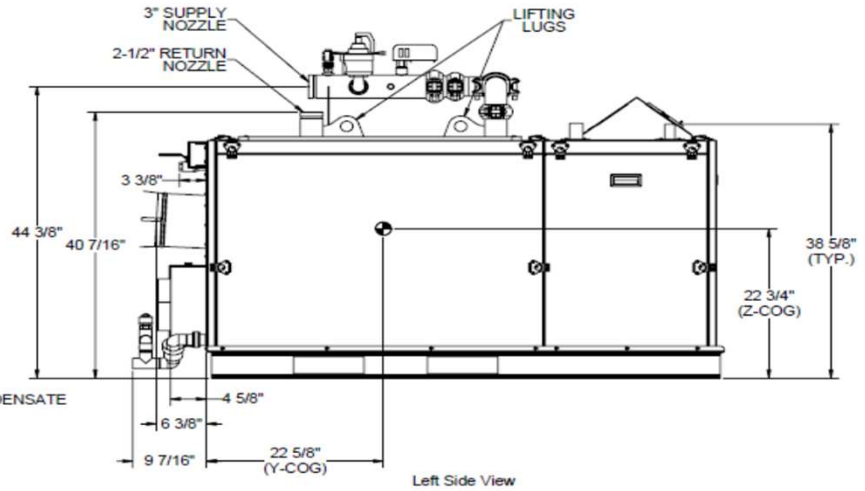
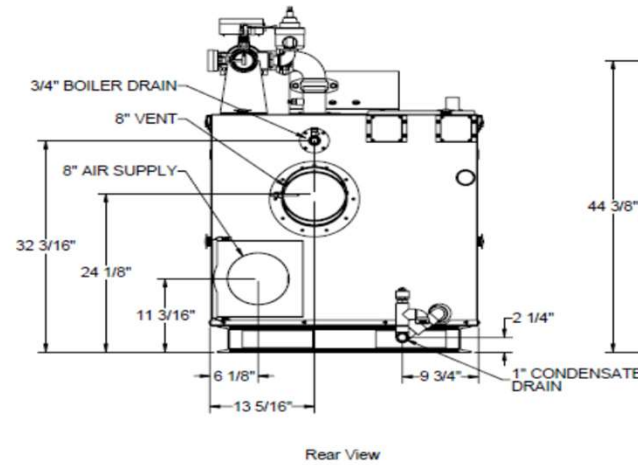
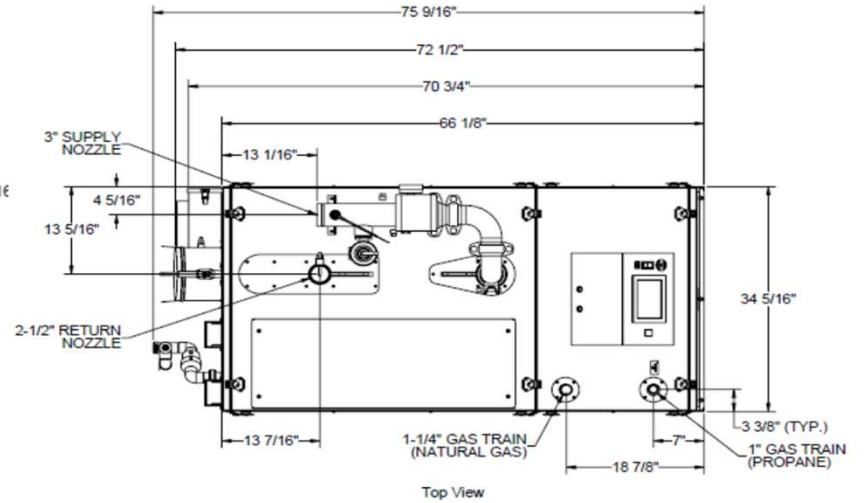
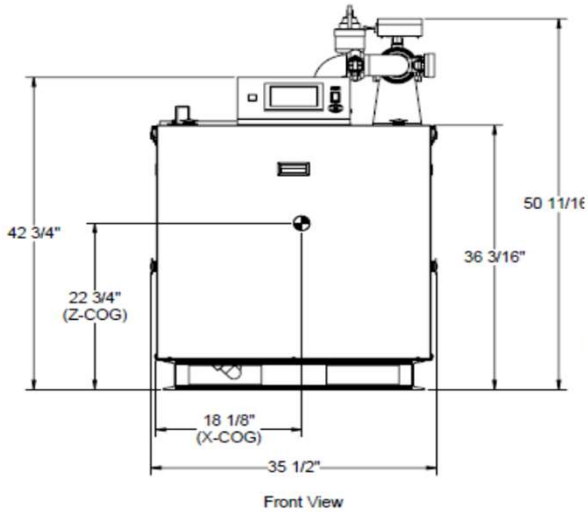
AMP CONDENSING BOILERS - SUBMITTAL DATA SHEET

RATINGS AND CAPACITIES		
Input - Low Fire	300,000	BTU/HR
Input - High Fire	1,500,000	BTU/HR
Output - High Fire	1,455,000	BTU/HR
Boiler Horsepower	43.5	BHP
Thermal Efficiency	97.0%	
Low Fire Thermal Efficiency	Up to 99%	
Heating Surface	120.0	Sq.Ft.
Water Content	13.0	Gallons
Fuel	Natural Gas / Propane	
Firing Rate	Full Modulation	
Burner Turndown	5:1	
Low NOx Emissions	< 10 ppm	
Inlet Gas Pressure (NG)	4" wc	Min.
Inlet Gas Pressure (Propane)	8" wc	Min.
	14" wc	Max.
Shipping Weight, Approximate	1,217	lbs

ASME Section IV (Max 160 PSIG / 21C)
ETL Certified to ANSI Z21.13 / CSA 4.9
ETL Certified to UL 795 / CSA 3.1

DIMENSIONS / CONNECTIONS		
- Height	42-3/4"	(Note 1)
- Width	34-1/4"	(Note 2)
- Length	66-1/8"	(Note 3)
- Supply Connection	3" Grooved	
- Return Connection	2-1/2" Grooved	
- Vent / Air Intake Connections	8"	
- Gas Connection (NG)	1-1/4" NPT	
- Gas Connection (LP)	1" NPT	

STANDARD EQUIPMENT		
- ASME Stainless Steel Heat Exchanger		
- Stainless Steel Pre-Mix Burner		
- Variable Speed Combustion Blower		
- Concert Control™ (24v)		
- High Limit Temperature Control, Manual Reset		
- Water Flow Switch		
- Low Water Cutoff, Manual Reset		
- Condensate Trap		
- Blocked Condensate Switch		
- ASME Pressure Relief Valve		
- Pressure / Temperature Gauge		
- Supply & Return Temperature Sensors		
- Flue Gas Temperature Sensor		
- Modulating Gas Valve		
- Manual Fuel Changeover Switch		
- Direct Spark Ignition and UV Scanner		
- High/Low Gas Pressure Switches, Manual Reset		
- Combustion Air Switch		
- Blocked Vent Switch		
- 120-208-240v/1/60 Line Voltage		
- Amp Draw: 120v (13.5); 208v (8.2) and 240v (7.7)		
- 208-240-460v/3ph/60hz Line Voltage		
- Amp Draw: 208v (11.0); 240v (9.9) and 460v (6.4)		
- Category II and IV Venting		
- Individual or Common (Engineered) Vent System		
- CPVC, Polypropylene & Stainless Steel Acceptable *Material		
- Sealed or Room Combustion Air Intake		
- Up to 300 ft equivalent venting / air intake		



FLOWS AND PRESSURE DROPS		
Delta T	Flow (GPM)	r P (Ft. Hd)
20°F r T	146	17.0
25°F r T	116	10.5
30°F r T	97	8.4
35°F r T	83	6.0
40°F r T	73	5.0
45°F r T	65	4.2
50°F r T	60	3.4
55°F r T	53	3.0

NOTES:

1. Height dimension is from floor to top of control box.
2. Width does not include jacket butterfly clips that require 3/4" +/- clearance on each side.
3. Length is the measurement of the boiler skid base.
4. Dimensions shown are for reference only

* Flue system material shall be capable of continuous operation at 210°F or higher and shall be certified to UL 1738 – venting system for gas-burning appliances cat II, III and IV.

AMP-1500-DF

PROPERTY OF
Thermal Solutions
Advanced Equipment for Hot Water Systems

PO BOX 3244 | LANCASTER, PA 17601
INNOVATIVE EQUIPMENT FOR
HOT WATER SYSTEMS
WWW.THERMALSOLUTIONS.COM

Updated 1/26/2024